

USB-C Bi-Direction Switch DATA & VIDEO & PD

A0206

DEAR CUSTOMER

Thank you for purchasing this product. For optimum performance and safety, please read these instructions carefully before connecting, operating or adjusting this product. Please keep this manual for future reference.

INTRODUCTION

This USB C switch has two working modes. It can be used as a 2x1 switch, which allows you to connect two sources devices to one display;
It can also be used as a 1x2 splitter that enables you to connect one source to two displays(Note that two displays can not work at the same time).

FEATURES

- Compliant to link with all USB-C input and output
- Complies with USB3.1、 USB PD 3.0 and DisplayPort 1.4 specification
- Supports: 8K@30Hz
5K@60Hz
4K@120Hz、 60Hz
1440P@165Hz、 144Hz、 120Hz、 60Hz
1080P@165Hz、 144Hz、 120Hz、 60Hz
(Depending on the system and the connected hardware)
- Supports transmission speed 10Gbps(USB3.1 Gen2)
- Supports max 100W power delivery
- Supports OS: MAC OS X, Windows
- **External power is required. Please be sure to power the switch with the supplied USB to DC cable when you use it.**

SPECIFICATIONS

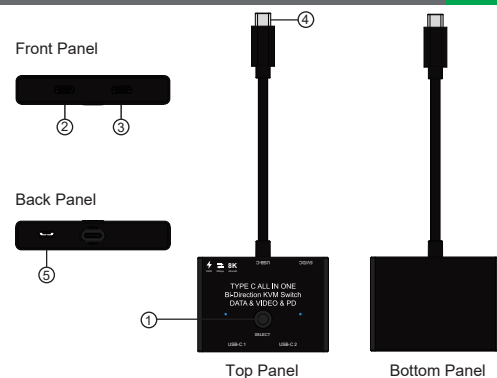
- Connectors:
 - Function 1 when used as a 2x1 switch
 - Input:
 - 2 x USB Type C female
 - 1 x 5 V DC jack 1.35 x 3.5 mm
 - Output:
 - 1 x USB Type C female
 - Function 2 when used as a 1x2 splitter
 - Input:
 - 1 x USB Type C female
 - 1 x 5V DC jack 1.35 x 3.5 mm
 - Output:
 - 2 x USB Type C female
- Robust metal housing
- Colour: black

PACKAGE CONTENTS

Before attempting to use this unit, please check the packaging and make sure the following items are contained in the shipping carton:

- 1 x Bi-direction Switch
- USB A to Micro B cable
- 1 x User Manual
- 1 x Warranty Card

PANEL DESCRIPTIONS



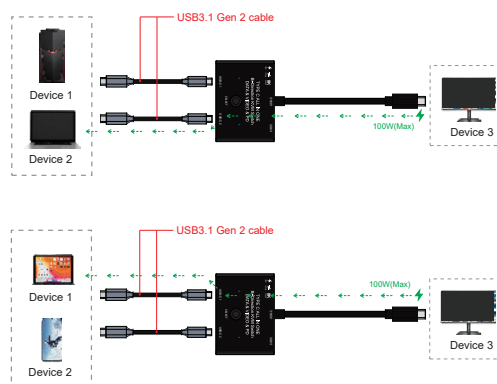
- ① Key Switch
- ② Input or Output: USB Type C Female(USB-C 1)
- ③ Input or Output: USB Type C Female(USB-C 2)
- ④ Input or Output: USB Type C Male(USB-C)
- ⑤ Power: Micro USB Female(DC/5V)

CONNECTION DIAGRAM 1

Function 1

1. Connect two sources to the port "USB-C 1" and port "USB-C 2" as shown in the diagram.
2. Connect the pigtail to display.
3. Power the switch with the supplied USB charging cable.

CONNECTION DIAGRAM 1

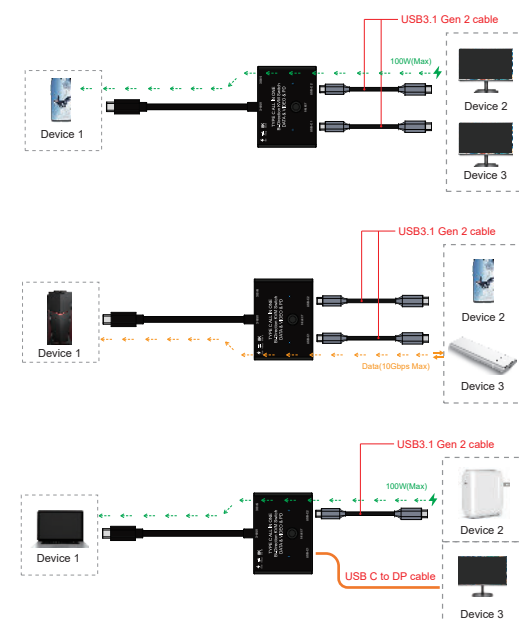


Notice:
1.Device 1 & Device 2: PC, Laptop, Tablet PC, Mobile phone etc.
2.Device 3: Monitor, TV, Projector etc.

Function 2

1. Connect the source to the Pigtail switch.
2. Connect two displays to the port "USB-C 1" and port "USB-C 2" as shown in the diagram.(Note: two displays cannot work at the same time)
3. Power the switch with the supplied USB charging cable.

CONNECTION DIAGRAM 2



Notice:
1.Device 1: PC, Laptop, Tablet PC, Mobile phone etc.
2.Device 2 & Device:3: Monitor, TV, Projector, Mobile phone, Hard disk Power adapter.